

# NON-METERED COMMERCIAL WASHER



## Featuring Mechanical Controls



2013 Department of Energy Compliant  
Modified Energy Factor: 1.85

Water Factor: 6.85

On average, uses 20 gallons per cycle—the  
lowest water consumption for Whirlpool®  
Commercial top-load washers.

### FOR YOUR CUSTOMERS

- Large Capacity Wash Basket is Ideal for Family-Size Loads
- Proven Cleaning Performance
- Extra-Large Lid and Tub Opening
- 5 Cycle Options: Heavy Duty, Normal, Delicates, Drain & Spin, Rinse & Spin
- Separate Temperature Controls
- Ergonomic Control Knobs
- Gentle Agitation

### AUTOMATIC LOAD SENSING

Adjusts water fill level based on load size, reducing water usage by up to 18 gallons per wash cycle.

### BALANCE RING ADAPTER—CLOTHES GUARD

Discourages overloading and keeps small items out of the pump.

### SECURE LID SYSTEM WITH SAFE RELEASE

To help ensure safe operation, the lid locks at start of cycle. Prevents damage when forced open.



### INDUSTRIAL STRENGTH WATER INLET HOSES

- Tested to 1100 PSI
- Extra-Long 6' Hoses

## CAE2793BQ—27" Non-Metered Commercial Washer

- 2.9-Cu.-Ft. Wash Basket
- Low Water Factor
- 5 Cycles: Heavy Duty, Normal, Delicates, Drain & Spin, Rinse & Spin
- Cycle Indicator LEDs
- Powdered Paint Top and Lid, Rustproof Stainless Steel Torx® Control Panel Screws
- Galvanized, Heavy-Gauge Cabinet Back, Side and Front Panel
- High-Speed Spin—700 RPM (maximum)
- 1/3 HP Motor
- **90-Day Labor/2-Year Limited Parts Only Warranty\***

\*Call 1-800-662-3587 for warranty details.

# NON-METERED COMMERCIAL WASHER

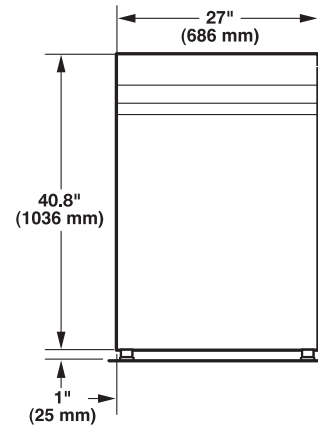


## Featuring Mechanical Controls

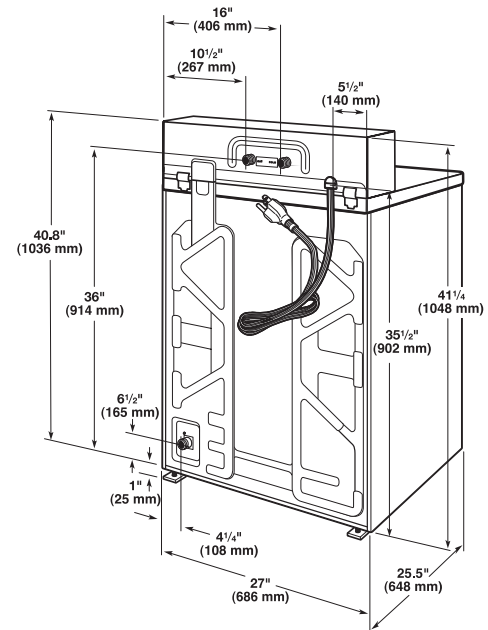
### Whirlpool® Non-Metered Commercial Washer Mechanical Controls

| WASHER SPECIFICATIONS  |   |
|--|---|
| <b>MODEL</b>   | CAE2793BQ   |
| <b>GENERAL INFORMATION</b>   |   |
| Modern design and look with all metal console and ergonomic control knobs. Automatic lid lock feature. | Large Capacity 2.9-Cu.-Ft. Basket                         |
| <b>BASKET VOLUME</b>   | 2.9 Cu. Ft.   |
| <b>MOTOR</b>   |   |
| 120 Volt, 1/3 HP, 1/4 kw, with thermal overload protection   | Single-speed, permanent split capacitor, reversible motor |
| Spin RPM—Maximum   | 700   |
| <b>MAXIMUM RATED CURRENT—AMPS (VOLT)</b>   | 8 (120)   |
| <b>ELECTRICAL REQUIREMENTS</b>   | 120V, 60 Hz   |
| <b>SHIPPING WEIGHT (EST.)</b>  | 137 Lbs. Crated, 122 Lbs. Uncrated                        |
| <b>DIMENSIONS</b>  |   |
| Cabinet Width—in. (mm)   | 27 (686)  |
| Cabinet Depth—in. (mm)   | 25.5 (648)  |
| Cabinet Height—in. (mm)  | 40.8 (1036)   |

Dimensions are for planning purposes only. For complete information, see installation instructions packed with product.



WASHER FRONT VIEW



WASHER BACK VIEW

NEW YORK CITY  
M.E.A.



To Locate a Distributor Near You, Please Visit [www.whirlpoolcommerciallaundry.com/distributor](http://www.whirlpoolcommerciallaundry.com/distributor), or call 1-800-662-3587.