

ADC AD-265

25-lb Capacity Coin Dryer

Standard Features:

- 25-lb. Capacity
- 8.43 cu. ft Basket Volume
- 60,000 btu/hr heat input, 400 cfm. airflow
- Axial Airflow
- Steel Door with Gasketless Glass
- Available in Gas Heat
- Only 29-5/8" Wide

Optional Features:

- Stainless Steel Front, Cabinet & Basket

Why Purchase ADC AD-265?

Engineer Driven Design That is Built to Last

Our dryers showcase ADC's engineer-driven approach to design. The drive system is a "belt around the drum" system, a direct drive system where the belt wraps around the shaft of the drive motor and then around the tumbler. The drive system also has a spring loaded tensioner to maintain proper belt tension. And our dryer cabinets and accessories are electrostatically powder-painted inside and out and baked at 420-degrees fahrenheit before final assembly. - ensuring the hardest surface and the longest lasting finish in the industry.

Rugged Steel Door with Gasketless Door Glass

Our dryer doors are one solid piece of steel with gasketless glass. This eliminates the issue of glass falling out due to wear and tear on rubber gaskets that some manufacturers use to secure glass. The security and durability that gasketless glass provides is essential to a successful laundromat operation.

Easy-to-Read, Multilingual Controls

We were the first to bring computer operated dryers to the market and today we continue to be a leader in applying technology to dryer operation. Our years of experience along with our accessible design, easy-to-read LCD screens and our user friendly multilingual interface position ADC as the pioneer in the laundry industry.



AD-265 Coin Dryer

Your local ADC independent authorized distributor



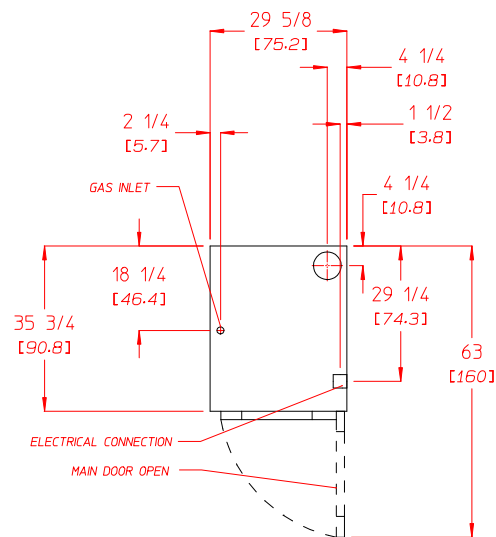
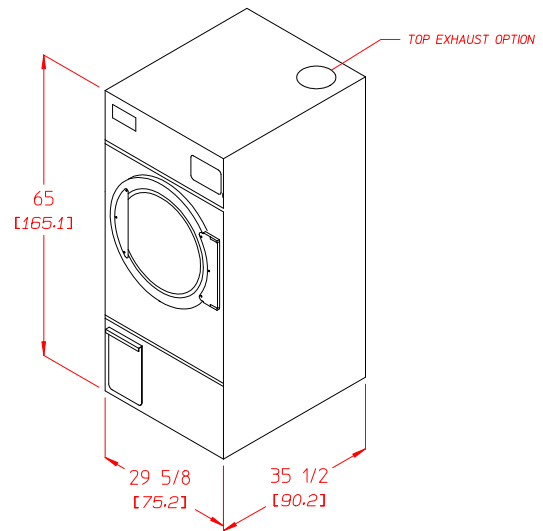
ADC AD-265

AD-265 Specifications

Tumbler Capacity (dry weight)	25 lbs. (11.3 kg)
Tumbler Diameter	27-1/4" (69.22 cm)
Tumbler Depth	25" (63.5 cm)
Tumbler Volume	8.43 cu ft (238.76 L)
Tumbler/Drive Motor	1/2 hp (0.37 kW)
Blower/Fan Motor	N/A
Door Opening (Diameter)	21-1/2" (54.61 cm)
Door Sill Height	28-3/4" (73 cm)
S.A.F.E. Water Connection	N/A
Dryers per 20'/40' Container	14 / 30
Dryers per 48'/53' Truck	42 / 48
Width	29-5/8" / 75.2
Depth	35-1/2" / 90.2
Height	65" (165.1 cm)
Airflow gas	60 Hz 400 cfm (11.33 cmm)
Exhaust Connection	6" (15.3 cm)
GAS MODEL:	
Approx. Net Wt.	454 lbs (205.9 kg)
Approx. Ship Wt.	484 lbs (219.5 kg)
Heat Input	60,000 btu/hr (15,120 kcal/hr)
Inlet Pipe Connection	1/2" F.N.P.T.

** Specifications in parentheses are metric equivalents.

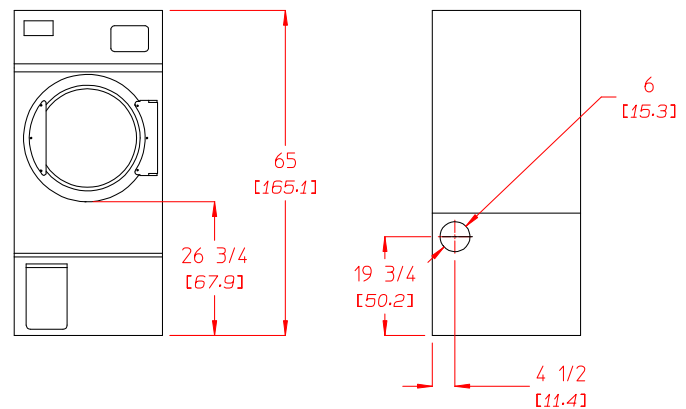
10/4/10



Electrical Service Specifications

Gas					
SERVICE VOLTAGE	PHASE	WIRE SERVICE	APPROX AMP DRAW 60 Hz	DUAL ELEMENT FUSE	CIRCUIT BREAKER
115	1ø	2	6	15	20
208	1ø	2	3	8	15
230	1ø	2	3	8	15

* Contact factory for electrical information not listed



88 Currant Road Fall River, MA 02720-4781 • 508.678.9000 • Fax: 508.678.9447 • Email: sales@amdry.com

electronic file only 11/2010

* Specifications are subject to change without notice or obligation. Contact ADC for dimensions not shown or for clarification.

www.amdry.com