

ADC AD-22

22-lb Capacity Coin Dryer

Standard Features:

- 22-lb. capacity
- 7.5 cu. ft basket volume
- 26,000 btu/hr heat input, 220 cfm. airflow
- Partial axial airflow
- Steel door with gasketless glass
- Only 27" wide
- Available in gas and electric
- Available in white front and cabinet

Optional Features:

- Stainless steel front, cabinet & basket
- S.A.F.E. (Sensor Activated Fire Extinguishing System)



AD-22 Coin Dryer

Why Purchase ADC AD-22?

Engineer Driven Design That is Built to Last

Our dryers showcase ADC's engineer-driven approach to design. Bearings are permanently lubricated on the motor and drive system. There are no chains used at ADC; rather, we use V-belts and pulleys for smooth, quiet, and trouble free operation. Our dryer cabinets are electrostatically powder-painted inside and out then baked at 420-degrees fahrenheit before final assembly - ensuring the hardest surface and the longest lasting finish in the industry.

Rugged Steel Door with Gasketless Door Glass

Our dryer doors are one solid piece of steel with gasketless glass. This eliminates the issue of glass falling out due to wear and tear on rubber gaskets that some manufacturers use to secure their glass. The security and durability that gasketless glass provides is essential to a successful laundromat operation.

More for Less

The AD-22 incorporates all the state-of-the-art design features from the leader in stack dryer design-with simple controls, an easy-to-read LCD screen. The AD-22 includes efficient partial axial airflow and rugged roller supported tumblers. This space saving dryer is only 27" wide with a large capacity tumbler that can handle oversized loads. The extra large door opening makes loading and unloading easy.

Your local ADC independent authorized distributor



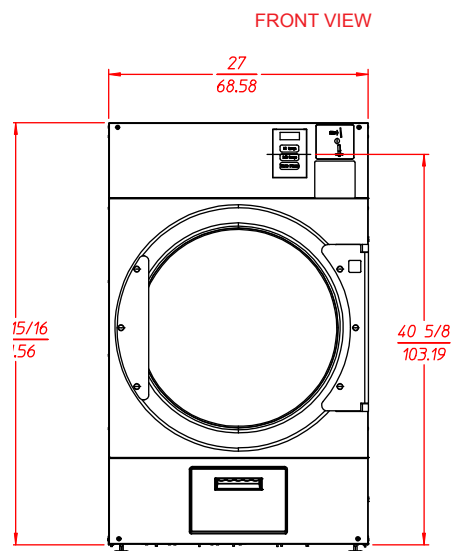
ADC AD-22

AD-22 Specifications

Tumbler Capacity (dry weight)	22 lbs. (9.698 kg)		
Tumbler Diameter	25-3/4" (65.41 cm)		
Tumbler Depth	24" (60.96 cm)		
Tumbler Volume	7-1/2 cu ft (212.38 L)		
Tumbler/Drive Motor	1/3 hp (0.25 kW)		
Blower/Fan Motor	DRIVEN BY TUMBLER MOTOR		
Door Opening (Diameter)	21-1/2" (54.61 cm)		
Door Sill Height	12-1/2" (31.75 cm)		
Dryers per 20'/40' Container	42/ 84		
Dryers per 48'/53' Truck	96 / 108		
Width	27" (68.6 cm)		
Depth	30-5/8" (77.8 cm)		
Height	43-27/32" (111.33 cm)		
Airflow	60 Hz	220 cfm (6.23 cmm)	
Exhaust Connection	4" (10.16 cm)		
GAS MODEL:	Voltage Available	120v 1ø 2w 60 Hz	
	Approx. Net Wt.	151 lbs (68.49 kg)	
	Approx. Ship Wt.	171 lbs (77.56 kg)	
	Heat Input	26,000 btu/hr (6,550 kcal/hr)	
Inlet Pipe Connection		3/8" M.N.P.T.	
ELECTRICAL MODEL:	Voltage Available	220-240V 1ø 50/60 Hz	
	Approx. Net Wt.	151 lbs (68.49 kg)	
	Approx. Ship Wt.	171 lbs (77.56 kg)	
	Exhaust Connection (Diameter)	4" (10.16 cm)	
Oven Size per pocket			
kW			Btu/hr (kcal/hr)
5.0			17,065 (4,300)
5.4			18,430 (4,644)

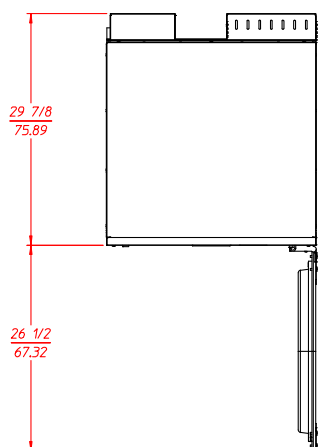
* Specifications in parentheses are metric equivalents.

11/7/11

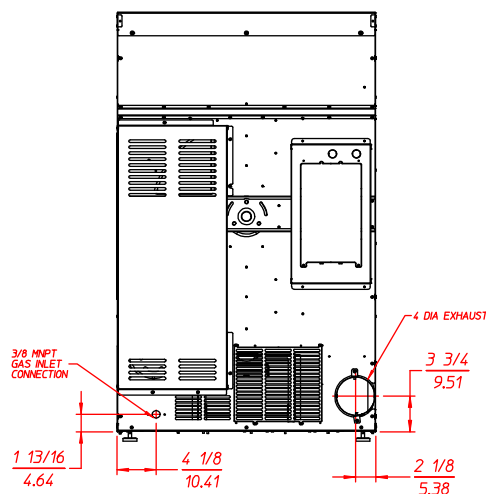


Electrical Service Specifications

SERVICE VOLTAGE	PHASE	WIRE SERVICE	GAS		CIRCUIT BREAKER
			APPROX AMP DRAW 60 Hz	50 Hz	
120	1ø	2	11.5	-	15



REAR VIEW



88 Currant Road Fall River, MA 02720-4781 • 508.678.9000 • Fax: 508.678.9447 • Email: sales@amdry.com

P/N web-only REV 11/7/11

* Specifications are subject to change without notice or obligation. Contact ADC for dimensions not shown or for clarification.

www.amdry.com