

ADC AD-222

22-lb x 2 Capacity Coin Dryer

Standard Features:

- 22-lb. x 2 capacity
- 7.5 cu. ft. volume
- 26,000 Btu/hr heat input, 220 cfm airflow per pocket
- Partial axial airflow
- Steel door with gasketless glass
- Single 4" exhaust connection
- Single coin drop
- Only 27" wide
- Available in gas and electric
- Available in white front and cabinet



AD-222 Coin Stack Dryer

Why Purchase ADC AD-222?

Engineer Driven Design That is Built to Last

Our dryers showcase ADC's engineer-driven approach to design. Bearings are permanently lubricated on the motor and drive system. There are no chains used at ADC; rather, we use V-belts and pulleys that simplify serviceability and ensure smooth, quiet, and trouble free operation. Our dryer cabinets are electrostatically powder-painted inside and out then baked at 420-degrees fahrenheit before final assembly - ensuring the hardest surface and the longest lasting finish in the industry.

Rugged Steel Door with Gasketless Door Glass

Our dryer doors are one solid piece of steel with gasketless glass. This eliminates the issue of glass falling out due to wear and tear on rubber gaskets that some manufacturers use to secure their glass. The security and durability that gasketless glass provides is essential to a successful laundromat operation.

More for Less

The AD-222 incorporates all the state-of-the-art design features from the leader in stack dryer design-with simple controls, an easy-to-read LCD screen. The AD-222 includes efficient partial axial airflow and rugged roller supported tumblers. This space saving dryer is only 27" wide with a large capacity tumbler that can handle oversized loads. The extra large door opening makes loading and unloading easy.

Your local ADC independent authorized distributor



ADC AD-222

AD-222 Specifications

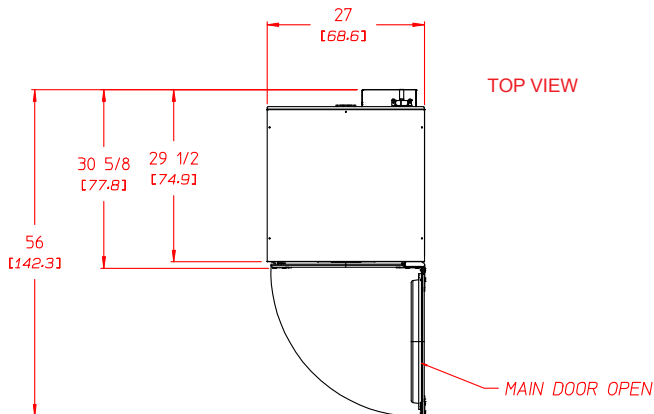
Tumbler Capacity (dry weight)	22 lbs. (9.98 kg) x 2											
Tumbler Diameter	25-3/4" (65.41 cm)											
Tumbler Depth	24" (60.96 cm)											
Tumbler Volume	7-1/2 cu ft (212.38 L)											
Tumbler/Drive Motor	1/3 hp (0.25 kW)											
Blower/Fan Motor	DRIVEN BY TUMBLER MOTOR											
Door Opening (Diameter)	21-1/2" (54.6 cm)											
Door Sill Height top pocket / bottom pocket	50-1/2" (128.27 cm) 12-1/2" (31.75 cm)											
Dryers per 20'/40' Container	42 / 84											
Dryers per 48'/53' Truck	96 / 108											
Width	27" (68.6 cm)											
Depth	30-5/8" (77.8 cm)											
Height	74-7/8" (190.3 cm)											
Airflow	60 Hz	220 cfm (6.23 cmm)										
Exhaust Connection	4" (10.16 cm) x 2											
GAS MODEL:	Voltage Available 120v 1ø 2w 60Hz Approx. Net Wt. 302 lbs (136.98 kg) Approx. Ship Wt. 342 lbs (155.12 kg) Heat Input (per pocket) 26,000 btu/hr (6,550 kcal/hr) Inlet Pipe Connection (per pocket) 3/8" M.N.P.T.											
ELECTRICAL MODEL:	Approx. Net Wt. 302 lbs (136.98 kg) Approx. Ship Wt. 342 lbs (155.12 kg) Exhaust Connection (Diameter) 4" (10.16 cm)											
	<table border="1"> <thead> <tr> <th colspan="2">Oven Size per pocket</th> </tr> <tr> <th>kW</th> <th>Btu/hr (kcal/hr)</th> </tr> </thead> <tbody> <tr> <td>4.1</td> <td>13,843 (3,488)</td> </tr> <tr> <td>5.0</td> <td>17,065 (4,300)</td> </tr> <tr> <td>5.4</td> <td>18,430 (4,644)</td> </tr> </tbody> </table>		Oven Size per pocket		kW	Btu/hr (kcal/hr)	4.1	13,843 (3,488)	5.0	17,065 (4,300)	5.4	18,430 (4,644)
Oven Size per pocket												
kW	Btu/hr (kcal/hr)											
4.1	13,843 (3,488)											
5.0	17,065 (4,300)											
5.4	18,430 (4,644)											

Specifications in parentheses are metric equivalents.

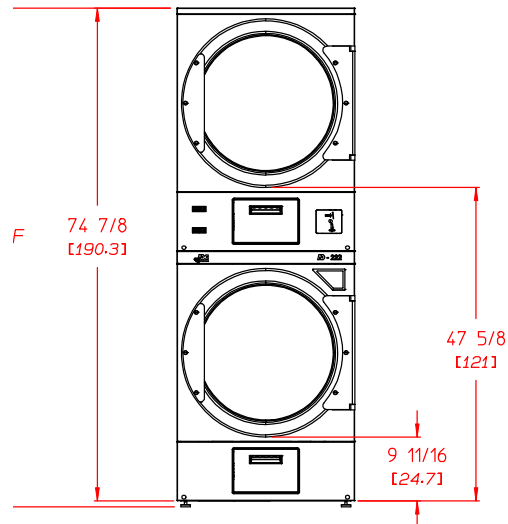
10/31/11

Electrical Service Specifications

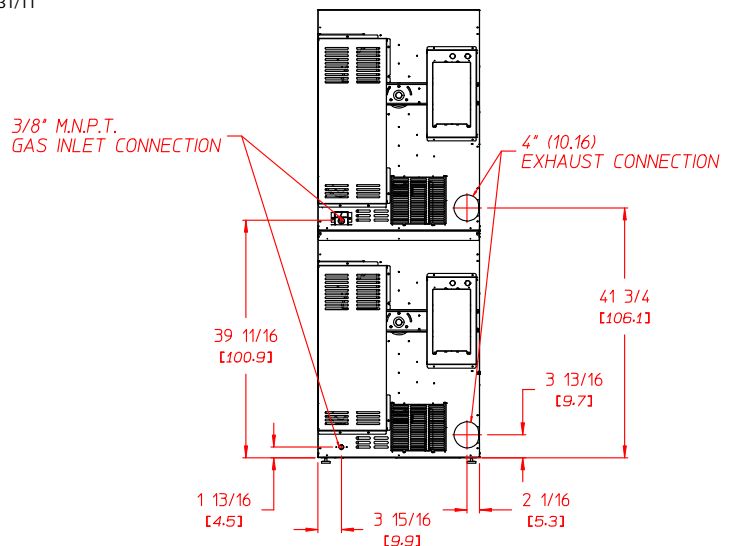
SERVICE VOLTAGE	PHASE	WIRE SERVICE	GAS		CIRCUIT BREAKER
			APPROX AMP DRAW		
			60 Hz	50 Hz	
120	1ø	2	11.5	--	15



FRONT VIEW



REAR VIEW



88 Currant Road Fall River, MA 02720-4781 • 508.678.9000 • Fax: 508.678.9447 • Email: sales@amdry.com

P/N Web-document REV 10/31/11

* Specifications are subject to change without notice or obligation. Contact ADC for dimensions not shown or for clarification.

www.amdry.com