

ADC AD-236

30-lb x 2 Capacity Coin Dryer

Standard Features:

- 30-lb. x 2 capacity
- 10.1 cu. ft. volume
- 160,000 btu/hr heat input, 400 cfm. airflow per pocket
- Radial airflow
- Steel door with gasketless glass
- Single 8" diameter vent connection for both pockets
- Independent electrical connections for each pocket
- Independent Microprocessor and coin drop for each pocket
- Single gas line connection
- Available in 3 Phase electric
- Only 28 -1/2" wide - fits through a standard 36" door
- Available in gas heat

Optional Features:

- Stainless Steel Front, Cabinet & Basket
- S.A.F.E. (Sensor Activated Fire Extinguishing System)
- Available in 3 Phase Electric



AD-236 Coin Stack Dryer

Why Purchase ADC AD-236?

Engineer Driven Design That is Built to Last

Our dryers showcase ADC's engineer-driven approach to design. Bearings are permanently lubricated on the motor and drive system. There are no chains or gear reducers used at ADC; rather, we use V-belts and pulleys for smooth, quiet, and trouble free operation. Our dryer cabinets are electrostatically powder-painted inside and out then baked at 420-degrees fahrenheit before final assembly - ensuring the hardest surface and the longest lasting finish in the industry.

Component Accessibility

The AD-236 is a dual pocket dryer that offers 98% component accessibility from the front of the tumbler. This feature allows the dryer to be placed against the wall without concern for regular rear maintenance. The AD-236 has a large lightweight lint drawer that is accessible and easy to clean -- only requiring cleaning once a day. It's fine, stainless steel lint screen is standard.

Rugged Steel Door with Gasketless Door Glass

Our dryer doors are one solid piece of steel with gasketless glass. This eliminates the issue of glass falling out due to wear and tear on rubber gaskets that some manufacturers use to secure their glass. The security and durability that gasketless glass provides is essential to a successful laundromat operation.

Easy-to-Read, Multilingual Controls

We were the first to bring computer operated dryers to the market and today we continue to be a leader in applying technology to dryer operation. Our years of experience along with our accessible design, easy-to-read LCD screens and our user friendly multilingual interface positions ADC as the pioneer in the laundry industry.

Your local ADC independent authorized distributor



ADC AD-236

AD-236 Specifications

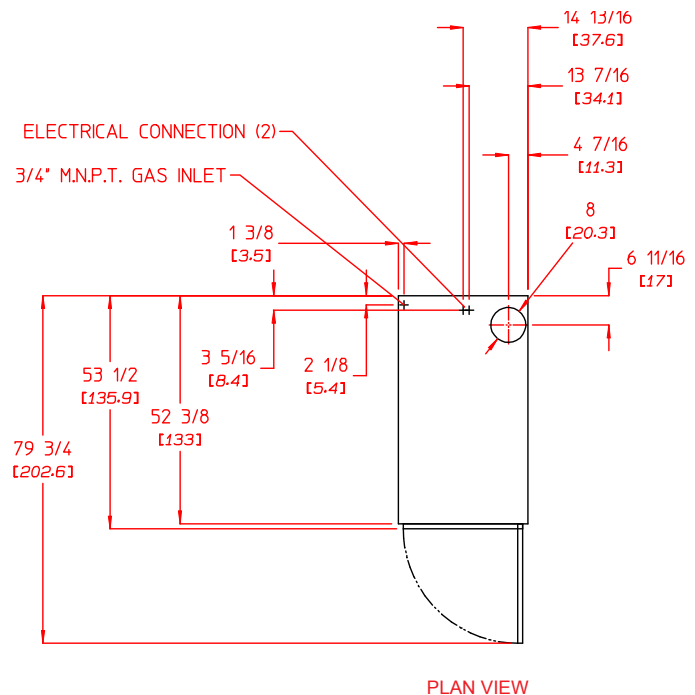
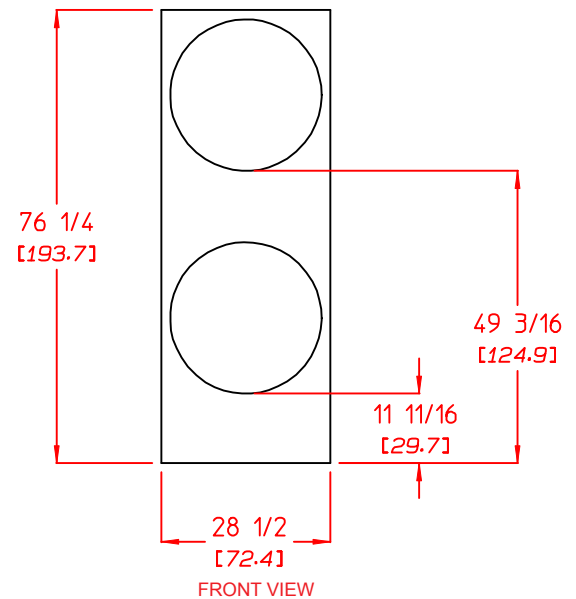
Tumbler Capacity (dry weight) *	30 lbs (13.60 kg.) x 2	
Tumbler Diameter	27-1/4" (69.22 cm)	
Tumbler Depth	30" (76.2 cm)	
Tumbler Volume	10.1 cu ft (286 L)	
Tumbler/Drive Motor	1/2 hp (0.373 kW)	
Blower/Fan Motor	1/2 hp (0.373 kW)	
Door Opening (diameter)	21-1/2" (54.6 cm)	
Door Sill Height (top pocket/bottom pocket)	49-3/16" (124.9 cm) 11-11/16" (29.7 cm)	
S.A.F.E. Water Connection	3/4" (11.5 NH) F.N.P.T. 3/4" B.S.P.T. (outside North America)	
Dryers per 20'/40' Container	11 / 23	
Dryers per 48'/53' Truck	28 / 30	
Width	28-1/2" (72.4 cm)	
Depth	53-1/2" (135.9 cm)	
Height	76-1/4" (193.7 cm)	
Airflow (per tumbler)	60 Hz	400 cfm (11.33 cmm)
	50 Hz	333 cfm (9.44 cmm)
Exhaust Connection	8" (20.32 cm)	
GAS MODEL:	Voltage Available	120-240v 1,3ø 2,3w 50/60 Hz
	Approx. Net Wt.	850 lbs (385.5 kg)
	Approx. Ship Wt.	900 lbs (408.2 kg)
	Heat Input (per pocket)	80,000 btu/hr (20,160 kcal/hr)
	Inlet Pipe Connection	3/4" M.N.P.T.

Specifications in parentheses are metric equivalents.
*30 lbs. each per pocket/tumbler

8/18/10

Electrical Service Specifications

GAS ONLY						
SERVICE VOLTAGE	PHASE	WIRE SERVICE	APPROX AMP DRAW		CIRCUIT BREAKER	
			60 Hz	50 Hz		
120	1	2	8.7	--	15	
208	1	2	5.2	--	15	
240	1	2	4.8	4.7	15	
208	3	3	3.0	--	15	
240	3	3	3.2	--	15	



P/N 451032 10/10

88 Currant Road Fall River, MA 02720-4781 • 508.678.9000 • Fax: 508.678.9447 • Email: sales@amdry.com

* Specifications are subject to change without notice or obligation. Contact ADC for dimensions not shown or for clarification.

www.amdry.com