

ADC AD-4545

45-lb x 2 Capacity Coin Dryer

Standard Features:

- 45-lb. x 2 capacity
- 14.6 cu. ft. volume
- 112,000 Btu/hr heat input, 600 cfm airflow per pocket
- Radial airflow
- Steel door with gasketless glass
- Independent electrical connection for each pocket
- Single 8" diameter vent connection for each pocket
- Largest door opening in the industry at 27" diameter
- Lint tray with 4.25" sides allows for maximum lint accumulation
- Fits through a standard 36" door
- Independent microprocessors and coin drop for each pocket
- Available in gas heat

Optional Features:

- Stainless Steel Front, Cabinet & Basket
- S.A.F.E. (Sensor Activated Fire Extinguishing System)
- Available in 3 Phase Electric



AD-4545 Coin Stack Dryer

Why Purchase ADC AD-4545?

Engineer Driven Design That is Built to Last

Our dryers showcase ADC's engineer-driven approach to design. Bearings are permanently lubricated on the motor and drive system. There are no chains used at ADC; rather, we use V-belts and pulleys for smooth, quiet, and trouble free operation. Our dryer cabinets are electrostatically powder-painted inside and out then baked at 420-degrees fahrenheit before final assembly - ensuring the hardest surface and the longest lasting finish in the industry.

Rugged Steel Door with Gasketless Door Glass

Our dryer doors are one solid piece of steel with gasketless glass. This eliminates the issue of glass falling out due to wear and tear on rubber gaskets that some manufacturers use to secure their glass. The security and durability that gasketless glass provides is essential to a successful laundromat operation.

Easy-to-Read, Multilingual Controls

We were the first to bring computer operated dryers to the market and today we continue to be a leader in applying technology to dryer operation. Our years of experience along with our accessible design, easy-to-read LCD screens and our user friendly multilingual interface positions ADC as the pioneer in the laundry industry.

Your local ADC independent authorized distributor

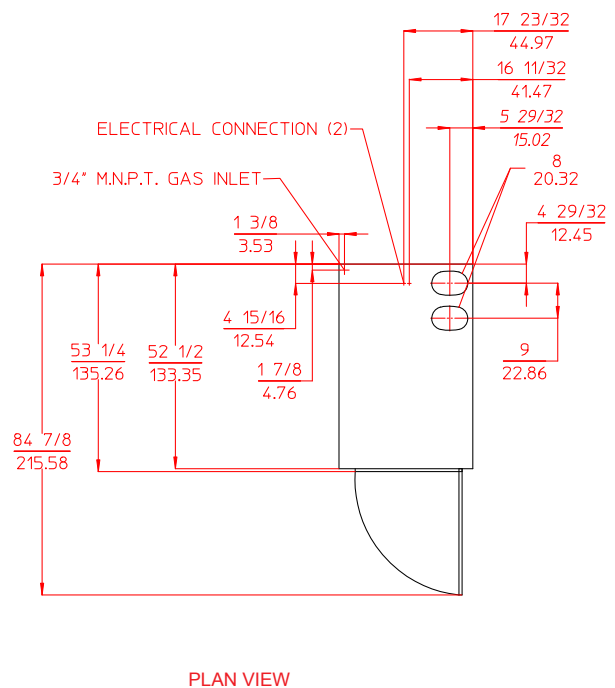
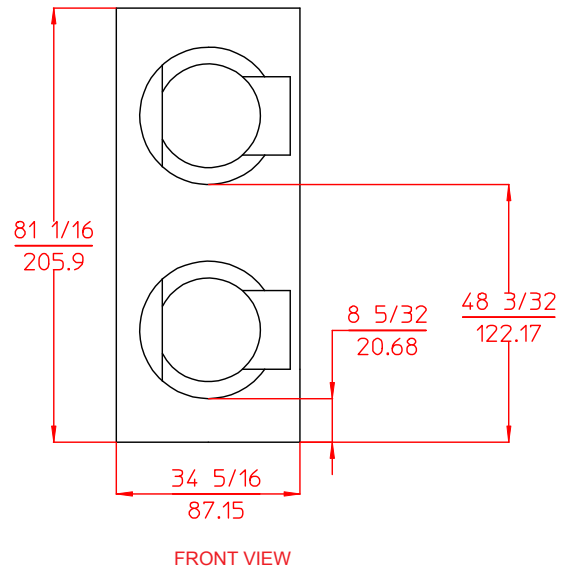


ADC AD-4545

AD-4545 Specifications	
Tumbler Capacity (dry weight)	45 lbs. (20.41 kg) x 2
Tumbler Diameter	32-3/4" (83.19 cm)
Tumbler Depth	30" (76.20 cm)
Tumbler Volume	14.6 cu ft (413.43 L)
Tumbler/Drive Motor	3/4 hp (0.56 kW)
Blower/Fan Motor	N/A
Door Opening (Diameter)	27" (68.6 cm)
Door Sill Height top pocket / bottom pocket	50-1/4" (127.64 cm) 10-1/4 (26.04 cm)
S.A.F.E. Water Connection (optional)	3/4" (11.5 NH) F.N.P.T. 3/4" B.S.P.T. (outside North America)
Dryers per 20'/40' Container	8 / 16
Dryers per 48'/53' Truck	25 / 27
Width	34-5/16" (87.15 cm)
Depth	53-1/4" (135.26 cm)
Height	81-1/16" (205.9 cm)
Airflow	60 Hz 600 cfm (16.99 cmm) 50 Hz 500 cfm (14.16cmm)
Exhaust Connection	8" (20.32 cm) Standard x2 10" (25.4 cm) Optional
GAS MODEL:	Voltage Available 100-240v 1,3ø 2,3w Approx. Net Wt. 1,015 lbs (460.40 kg) Approx. Ship Wt. 1,050 lbs (476.27 kg) Heat Input (per pocket) 112,000 btu/hr (28,230 kcal/hr) Inlet Pipe Connection 3/4" M.N.P.T. 3/4" F.B.S.P.T. (CE and Australia Only)

Specifications in parentheses are metric equivalents.

10/27/10



Electrical Service Specifications					
GAS					
SERVICE VOLTAGE	PHASE	WIRE SERVICE	APPROX AMP DRAW		CIRCUIT BREAKER
			60 Hz	50 Hz	
120	1ø	2	12.0	--	15
230	1ø	2	6.5	--	15
208	3ø	3	3.0	--	15
240	3ø	3	3.2	--	15



88 Currant Road Fall River, MA 02720-4781 • 508.678.9000 • Fax: 508.678.9447 • Email: sales@amdry.com

P/N 451022 10/10

* Specifications are subject to change without notice or obligation. Contact ADC for dimensions not shown or for clarification.

www.amdry.com