

ADC AD-78

75-lb Capacity Coin Dryer

Standard Features:

- 75-lb. capacity
- 22.4 cu. ft. basket volume
- 204,000 Btu/hr heat input, 1,200 cfm airflow
- Radial airflow
- Steel door with gasketless glass
- 10" diameter vent connection
- Fits through standard 36" door
- Extra wide 44-1/2" diameter drum for excellent air circulation and drying
- Large 31-3/8" door
- Available in gas and electric heat

Optional Features:

- Stainless steel front, cabinet & basket
- Reversing basket
- S.A.F.E. (Sensor Activated Fire Extinguishing System)



AD-78 Coin Dryer

Why Purchase ADC AD-78?

Engineer Driven Design That is Built to Last

Our dryers showcase ADC's engineer-driven approach to design. Bearings are permanently lubricated on the motor and drive system. There are no chains used at ADC; rather, we use V-belts and pulleys for smooth, quiet, and trouble free operation. Our dryer cabinets are electrostatically powder-painted inside and out then baked at 420-degrees fahrenheit before final assembly - ensuring the hardest surface and the longest lasting finish in the industry.

Rugged Steel Door with Gasketless Door Glass

Our dryer doors are one solid piece of steel with gasketless glass. This eliminates the issue of glass falling out due to wear and tear on rubber gaskets that some manufacturers use to secure their glass. The security and durability that gasketless glass provides is essential to a successful laundromat operation.

Easy-to-Read, Multilingual Controls

We were the first to bring computer operated dryers to the market and today we continue to be a leader in applying technology to dryer operation. Our years of experience along with our accessible design, easy-to-read LCD screens and our user friendly multilingual interface positions ADC as the pioneer in the laundry industry.

Your local ADC independent authorized distributor



ADC AD-78

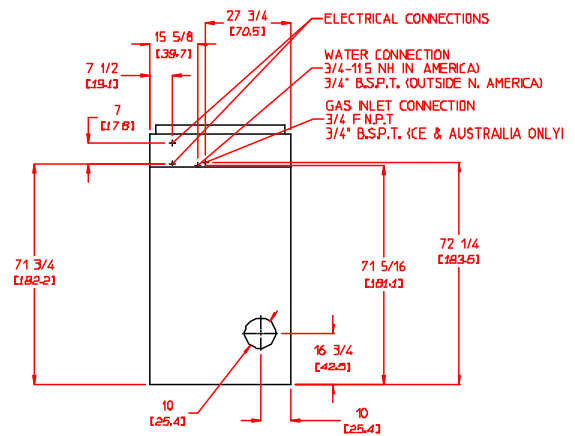
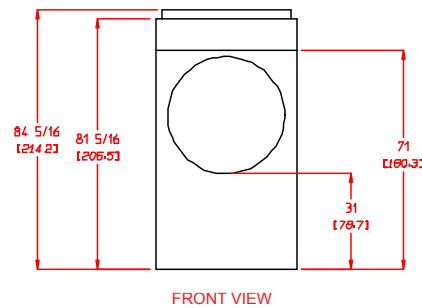
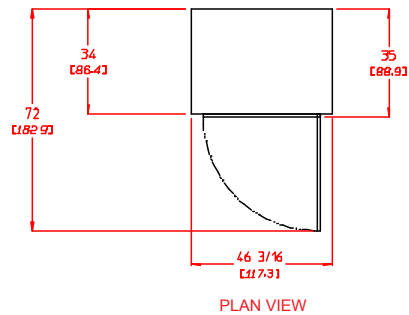
| AD-78 Specifications | | | | | | | | | |
|--|---|----------------------|--|----|------------------|----|-----------------|----|------------------|
| Tumbler Capacity (dry weight) | 75 lbs. (34.02 kg) | | | | | | | | |
| Tumbler Diameter | 44-1/2" (113.03 cm) | | | | | | | | |
| Tumbler Depth | 24-7/8" (63.18 cm) | | | | | | | | |
| Tumbler Volume | 22.40 cu ft (634.30 L) | | | | | | | | |
| Tumbler/Drive Motor | 1 hp* (0.75 kW) | | | | | | | | |
| Blower/Fan Motor | 1/2 hp (0.37 kW) | | | | | | | | |
| Door Opening (Diameter) | 31-3/8" (79.69 cm) | | | | | | | | |
| Door Sill Height | 33-1/3" (78.74 cm) | | | | | | | | |
| S.A.F.E. Water Connection | 3/4"-11.5 NH (North America) 3/4" B.S.P.T. (Outside North America) | | | | | | | | |
| Dryers per 20'/40' Container | 10 / 20 | | | | | | | | |
| Dryers per 48'/53' Truck | 25 / 27 | | | | | | | | |
| Width | 46-3/16" (117.3 cm) | | | | | | | | |
| Depth | 35" (88.9 cm) | | | | | | | | |
| Height | 84-5/16" (214.2 cm) | | | | | | | | |
| Airflow gas/electric | 60 Hz 1,200 cfm (33.98 cmm) 50 Hz 1,000 cfm (28.31 cmm) | | | | | | | | |
| Exhaust Connection | 10" (25.40 cm) | | | | | | | | |
| GAS MODEL: | | | | | | | | | |
| Approx. Net Wt. | 888 lbs (402.79 kg) | | | | | | | | |
| Approx. Ship Wt. | 938 lbs (425.47 kg) | | | | | | | | |
| Heat Input | 204,000 btu/hr (51,407 kcal/hr) | | | | | | | | |
| Inlet Pipe Connection | 3/4" F.N.P.T. 3/4" B.S.P.T. (CE and Australia Only) | | | | | | | | |
| ELECTRIC MODEL: | | | | | | | | | |
| Approx. Net Wt. | 888 lbs (402.79 kg) | | | | | | | | |
| Approx. Ship Wt. | 938 lbs (425.47 kg) | | | | | | | | |
| <table border="1"> <thead> <tr> <th colspan="2">Oven Size per pocket</th> </tr> <tr> <th>kW</th> <th>Btu/hr (kcal/hr)</th> </tr> </thead> <tbody> <tr> <td>24</td> <td>81,900 (20,600)</td> </tr> <tr> <td>36</td> <td>122,800 (31,000)</td> </tr> </tbody> </table> | | Oven Size per pocket | | kW | Btu/hr (kcal/hr) | 24 | 81,900 (20,600) | 36 | 122,800 (31,000) |
| Oven Size per pocket | | | | | | | | | |
| kW | Btu/hr (kcal/hr) | | | | | | | | |
| 24 | 81,900 (20,600) | | | | | | | | |
| 36 | 122,800 (31,000) | | | | | | | | |

Specifications in parentheses are metric equivalents.
 * For single-phase (1Ø) dryers use 1 motor: 1 hp drive/fan. For three-phase (3Ø) non-reversing dryers use 1 motor: 1 hp drive/fan and for three-phase (3Ø) reversing dryers use 2 motors: 1 hp fan and 1/2 hp drive.

5/23/06

| Electrical Service Specifications | | | | | |
|-----------------------------------|-------|--------------|-----------------|-------|-----------------|
| GAS | | | | | |
| SERVICE VOLTAGE | PHASE | WIRE SERVICE | APPROX AMP DRAW | | CIRCUIT BREAKER |
| | | | 60 Hz | 50 Hz | |
| 120 | 1Ø | 2 | 13.0 | -- | 20 |
| 208 | 1Ø | 2 | 7.6 | -- | 15 |
| 230 | 1Ø | 2 | -- | 8.0 | 15 |
| 240 | 1Ø | 2 | 7.0 | -- | 15 |
| 208 | 3Ø | 3 | 4.7 | -- | 15 |
| 230 | 3Ø | 3 | -- | 4.7 | 15 |
| 240 | 3Ø | 3 | 4.9 | -- | 15 |
| 380 | 3Ø | 4* | -- | 2.9 | 15 |
| 400 | 3Ø | 4* | -- | 3.1 | 15 |
| 416 | 3Ø | 4* | -- | 3.1 | 15 |
| 460 | 3Ø | 3 | 2.8 | -- | 15 |
| 480 | 3Ø | 3 | 2.8 | -- | 15 |

| Electrical Service Specifications | | | | | |
|-----------------------------------|-------|--------------|-----------------|-------|-----------------|
| SERVICE VOLTAGE | PHASE | WIRE SERVICE | APPROX AMP DRAW | | CIRCUIT BREAKER |
| | | | 60 Hz | 50 Hz | |
| 24 kW Electric | | | | | |
| 208 | 3Ø | 3 | 71 | -- | 90 |
| 240 | 3Ø | 3 | -- | -- | -- |
| 380 | 3Ø | 4* | -- | -- | -- |
| 400 | 3Ø | 4* | -- | -- | -- |
| 416 | 3Ø | 4* | -- | -- | -- |
| 460 | 3Ø | 3 | -- | -- | -- |
| 480 | 3Ø | 3 | -- | -- | -- |
| 36 kW Electric | | | | | |
| 208 | 3Ø | 3 | 105 | -- | 150 |
| 220 | 3Ø | 3 | 99 | -- | 125 |
| 230 | 3Ø | 3 | -- | -- | -- |
| 240 | 3Ø | 3 | 92 | -- | 125 |
| 380 | 3Ø | 4* | -- | 58 | 75 |
| 400 | 3Ø | 4* | -- | -- | -- |
| 416 | 3Ø | 4* | -- | 53 | 70 |
| 460 | 3Ø | 3 | 48 | -- | 60 |
| 480 | 3Ø | 3 | 46 | -- | 60 |



REAR VIEW



88 Currant Road Fall River, MA 02720-4781 • 508.678.9000 • Fax: 508.678.9447 • Email: sales@amdry.com

P/N 451027 10/10

* Specifications are subject to change without notice or obligation. Contact ADC for dimensions not shown or for clarification.